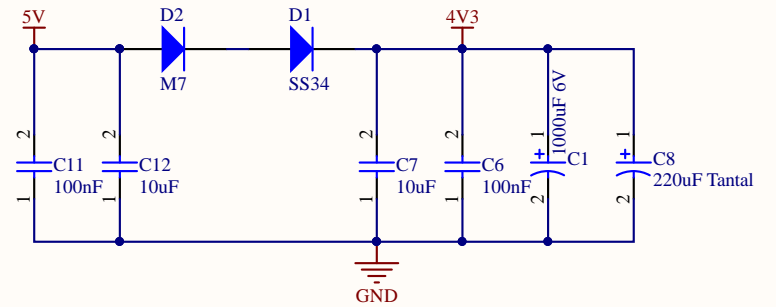
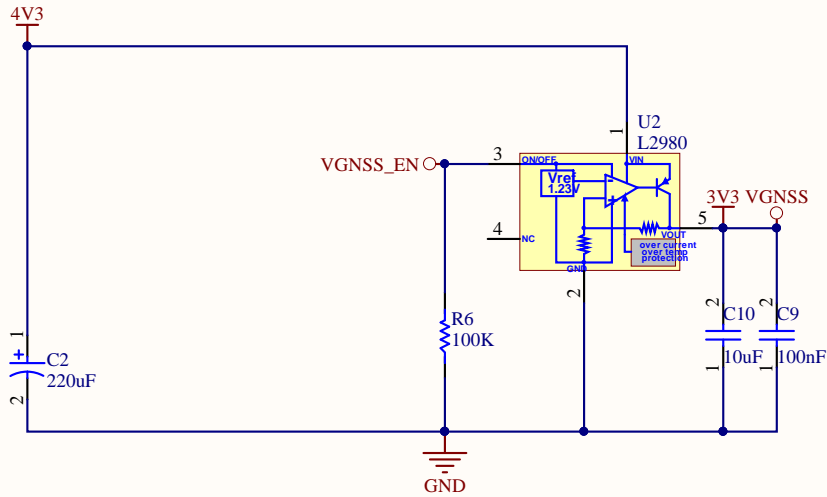
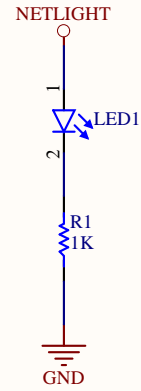
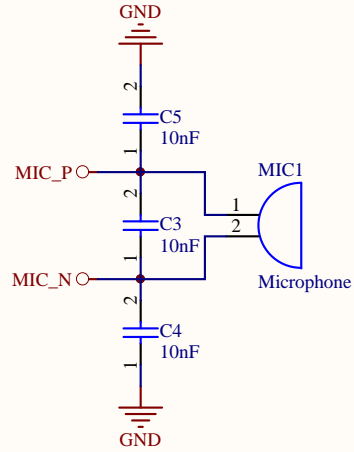
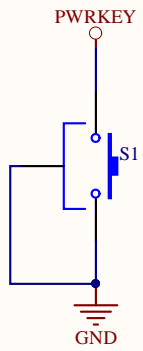


PDF Eraser Free



Title		
Size	Number	Revision
A		
Date:	1/12/2020	Sheet of
File:	E:\Projects\...\IO.SchDoc	Drawn By:

A

B

C

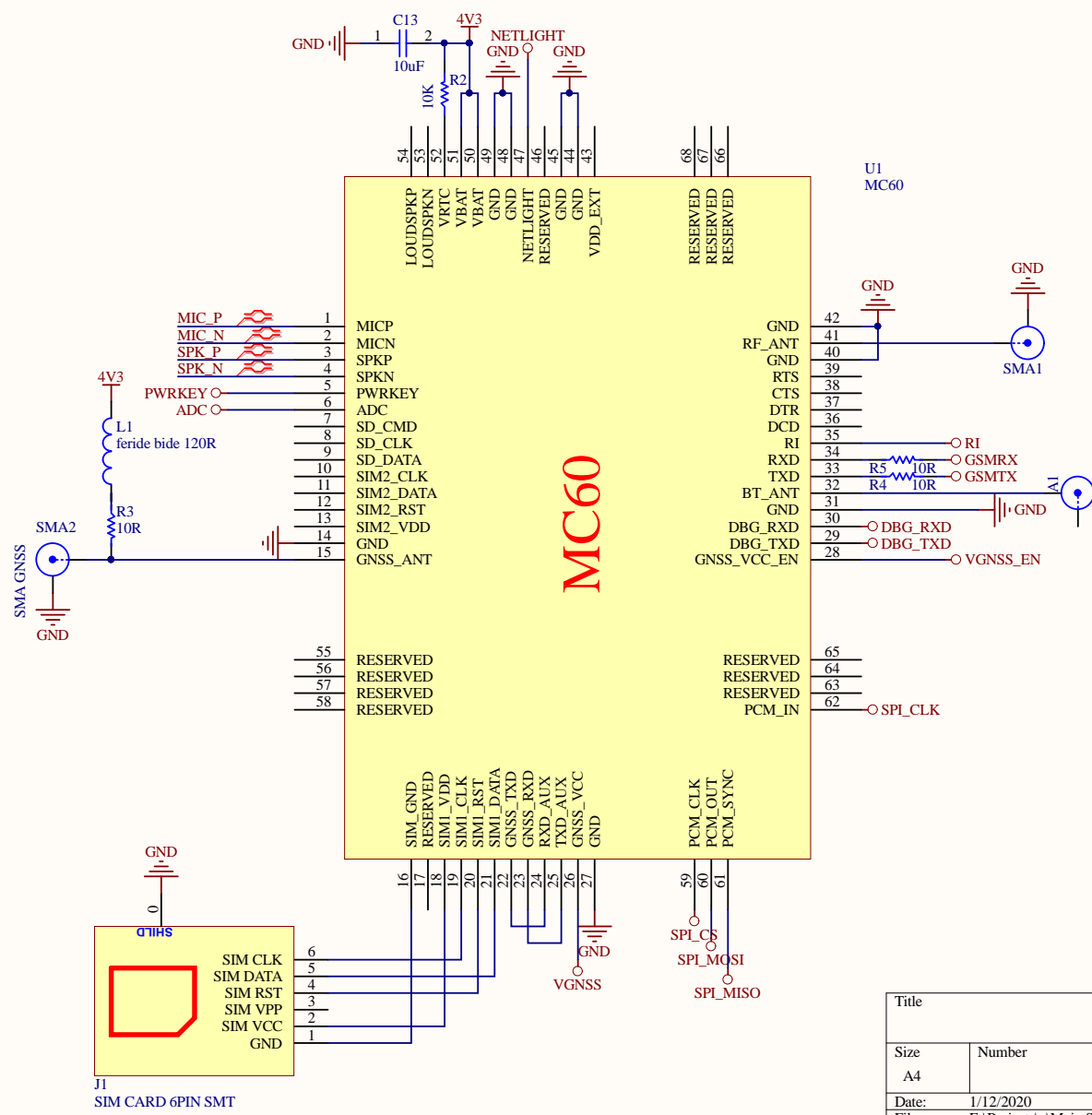
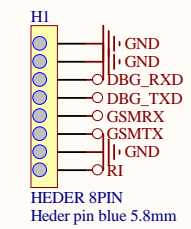
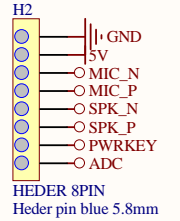
D

A

B

C

D



Title		
Size	Number	Revision
A4		
Date:	1/12/2020	Sheet of
File:	E:\Projects\...\Main.SchDoc	Drawn By: